

400x400 Tri-color LED Countdown Timer

Model: DX-3-G-1-FM41



Product Features

- Novel design with beautiful appearance
- Low power consumption
- High efficiency and brightness
- Large viewing angle
- Long lifespan-more than 80,000 hours
- Multi-layer sealed and waterproof
- Exclusive optical lensing and good color uniformity
- Long viewing distance
- Keep up with CE, GB14887-2011

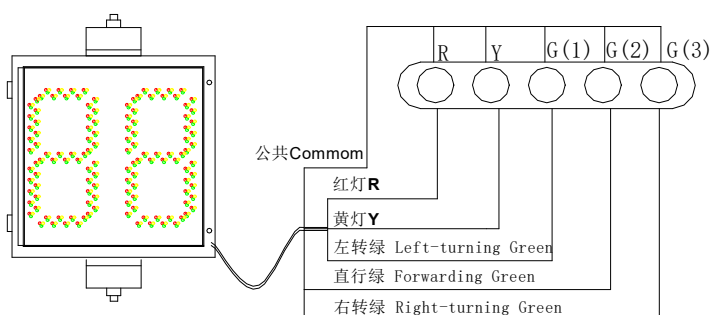
Product Photo



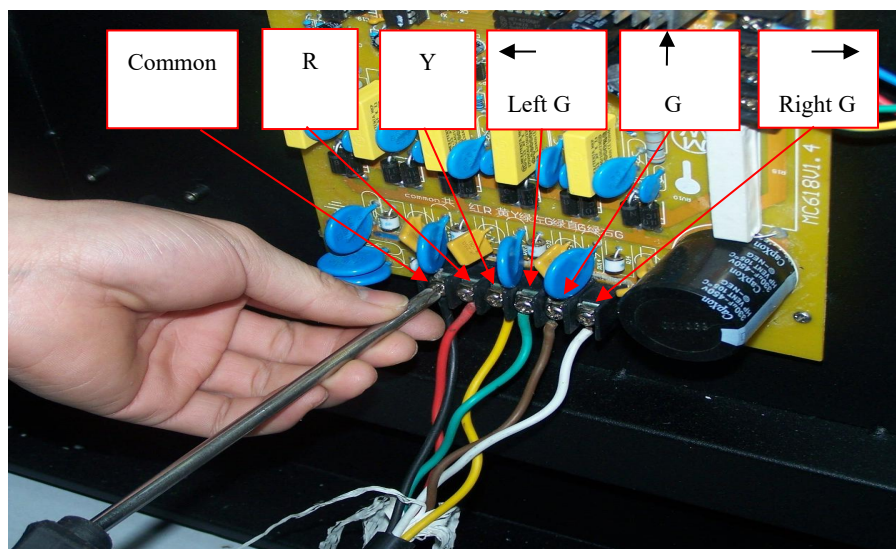
Technical Parameters:

- ★ Red countdown timer: 128pcs LED
Intensity: $\geq 10000\text{cd/m}^2$ Wavelength: $625 \pm 5\text{nm}$
L/R/Up/Down angle : 30° Power consumption: $\leq 10\text{W}$
- ★ Yellow countdown timer: 128pcs LED
Intensity: $\geq 15000\text{cd/m}^2$ Wavelength: $590 \pm 5\text{nm}$
L/R/Up/Down angle: 30° Power consumption: $\leq 12\text{W}$
- ★ Green countdown timer: 128pcs LED
Intensity: $\geq 20000\text{cd/m}^2$ Wavelength: $505 \pm 5\text{nm}$
L/R/Up/Down angle: 30° Power consumption: $\leq 12\text{W}$
- ★ Working temperature : $-40^\circ\text{C} \sim +80^\circ\text{C}$
- ★ Working voltage : AC85-265V 60HZ/50HZ
- ★ Housing materials : PC
- ★ Size of the lamp(mm): 470x470x195
- ★ IP grade : IP65
- ★ Viewing distance $\geq 300\text{m}$

Wire connecting I



Wire connecting II



1. The left picture is a wire connection sketch of the controller board terminals. From left to right, terminals should be connected with Common line, Red, Yellow, Left G, Forwarding G and Right G lights.

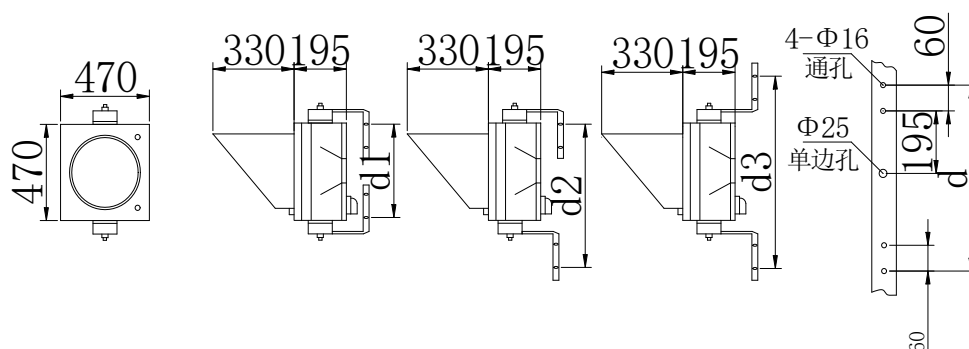
Packaging

| Model | Carton Size (m) | Q'ty (Pcs) | NW (Kg) | GW (Kg) | Materials | Volume (m ³) |
|---------------|-----------------|------------|---------|---------|-----------|--------------------------|
| DX-3-G-1-FM41 | 0.53*0.21*0.62 | 1 | 5.38 | 7.02 | K 二 K | 0.069 |

Packing List

| Name | Lamp | L Bracket | Visor | M4×10 Screws | M4×8 Screws | Instruction | Certificate |
|------|------|-----------|-------|--------------|-------------|-------------|-------------|
| Q'ty | 1 | 2 | 1 | 6 | 0 | 1 | 1 |

Installation Size



| d | 尺寸(size) |
|----|----------|
| d1 | 460 |
| d2 | 580 |
| d3 | 710 |

Elevation
(with Deck boards)

侧视图(1)
side elevation
(1)

侧视图(2)
side elevation
(3)

侧视图(3)
side elevation
(3)

灯杆钻孔图 单位unit: mm
Light pole Installation
Holes Chart